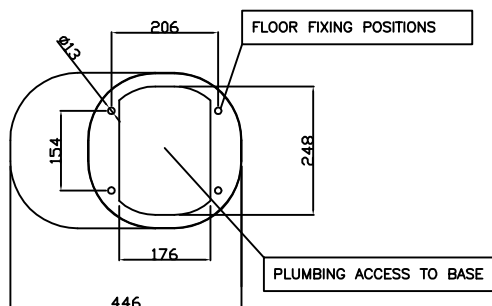
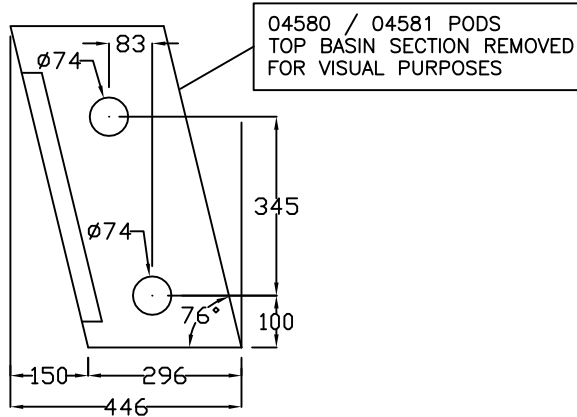


PLEASE READ ALL SECTIONS CAREFULLY



FLOOR FIXING AND WASTE PIPE HOLES

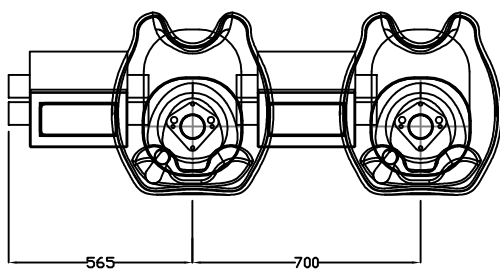
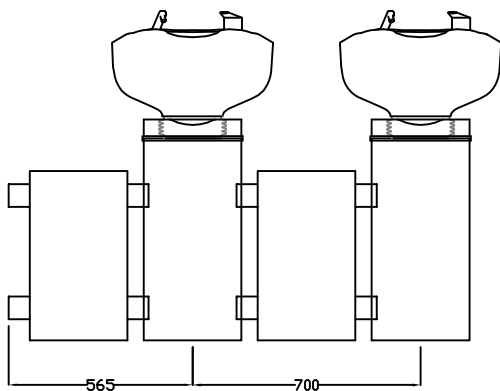
The Aqua Backwash (04580) and Frontwash (04581) units contain identical pedestal sections.

Unscrew the rear access panel to gain access to internals.

The Aqua Backwash and Frontwash pedestals fix to the floor via 4 fixings points to the corners of the base of pedestals (fixings not supplied).

The open section to base can be used to allow waste water pipes and water feeds to exit the wash points, also, the two large holes in sides of pedestals can be punched out to allow waste water pipes and water feeds to exit the wash points.

Please see Basin Installation Instructions and Monobloc Instructions supplied separately.



FIXING MULTIPLE WASHPOINTS AND LINK UNIT

When fitting more than one Aqua Pedestal (04580 or 04581) it is recommended there is a 700mm gap between washpoint centres.

The optional link unit (04582) will fit in between two units set this distance apart.

The rear door on the link unit can be removed to gain access to internals and the link can be fixed to the floor via 2 fixing points to the rear corners of the base (fixings not supplied).

All pedestals and links should be securely fixed in position before any plumbing work commences.

REM

T: 01282 619977
F: 01282 619617

Aqua Pedestal Wash Units: generic instructions
04580 / 04581 / 04582
Assembly Instruction Sheet 1/1
Date: 01/01/2012 - Edition 1
Produced by: PP